

OUTFIT "LEONARDO"



MERINO and AVANTGARDE Yarns

MATERIAL ADRIAFIL YARNS

ROMPER

MATERIALS REQUIRED

250 g. in the following yarns: 200 g Merino yarn in white no. 02 and 50 g Avantgarde yarn in lilac no. 33 (worked doubled). Knitting needles no. 3 1/2 and no. 4. Three buttons as trim. Five Five press studs. Tapestry needle with rounded tip.

AGE: 12/15 months

PATTERN STITCHES

Elastic rib (start and finish)

Rib stitch 1/1

Checker stitch (total number of stitches must be a multiple of 4):

Row 1: * k2, p2 *, rep. from * to *.

Row 2 and next even rows: work the stitches as they present themselves.

Row 3: * p2, k2 *, rep. from * to *.

Row 5: rep. from row 1.

Knit stitch to finish elastic rib

5

GAUGE

10 x 10 cm. with knitting needles no. 4 and with the Merino yarn work in checker st. = 22 sts. and 30 rows.

WORKING INSTRUCTIONS

Back: start working one of the legs; with knitting needles no. 3 1/2 and the lilac yarn doubled cast on 36 sts. and work 2 rows in elastic rib, then in rib st. 1/1. When work measures 2.5 cm. from beg., cont. with knitting needles no. 4 and the white yarn in checker st. at the same time, to shape the crotch inc. on one side 1 st. every 6 rows 3 times, 1 st. every 4 rows twice; at the same time, to shape the side, inc. on opposite side, 1 st. every 12 rows 4 times. When work measures 10 cm. from the edge, stand off the sts. and work the second leg at the same time, then pick up on the same needle the stitches of the 2 legs and cont. in checker st. over all the sts. continuing to work in side decs. for sides. When work measures 29 cm. from the edge, cont. in rib st. 1/1 spacing 20 decs. evenly in the 1st row. When rib stitch pattern measures 2 cm. cont. in checker st. When work measures 2.5 cm. from the elastic rib edge, to shape the armholes bind off at ends 3 sts. and dec. 1 st. every 2 rows twice. When work measures 8.5 cm. from beg. of armholes, bind off all the rem. stitches.

Front: work in same way as back until work measures 3 cm. from crotch. To shape the centre opening, divide work in half and cont. over the two parts separately working in at the same time, the incs. for the sides. When work measures 29 cm. from the edge, cont. in rib st. 1/1 spacing 10 decs. (in each section) evenly in the 1st row. When rib stitch pattern measures 2 cm. cont. in checker st. When work measures 2.5 cm. from the elastic rib, shape the armholes in the same way as back. When work measures 38 cm. from the edge of the legs, to shape the neckline, bind off centrewise, every 2 rows, 7 sts., 1 st. 5 times. When work measures 4 cm. from beg. of neckline, bind off the rem. stitches for each shoulder.

Sleeves with knitting needles no. 3 1/2 and the lilac yarn worked doubled, cast on 32 sts. and work a border in same way as back. When work measures 2.5 cm. from beg., cont. with knitting needles no. 4 and the white yarn in checker st. At sides, inc. 1 st. every 6 rows 6 times. When work measures 13 cm. from the edge, to shape the armholes, bind off at ends 2 sts every 2 rows 3 times. When work measures 2.5 cm. from beg. of armholes, bind off the rem. stitches.

MAKE UP AND FINISH

Sew up the shoulders. With knitting needles no. 3 1/2 and the lilac yarn worked doubled pick up 68 sts. around the neckline and work in rib st. 1/1 for 5,1.5 cm.; cont. in elastic rib for 4 rows, then sew the stitches in knit stitch with the needle and at the same time pick up 60 sts. along the right buttoning side and work in elastic rib for 6 rows; sew the stitches in knit stitch with the needle. Trim at the same time the left buttoning side. Sew up the sides. Join and sew on the sleeves. Sew up inner section of legs. Sew on the press studs spaced evenly along the edges of the buttoning side. Sew on the decorative buttons over the first, third and fifth press stud.

GILET

MATERIALS REQUIRED

100 g. Avantgarde yarn in lilac no. 33 (worked doubled). Knitting needles no. 4. Crochet hook no. 3.50. Tapestry needle with rounded tip.

AGE: 12/15 months

PATTERN STITCHES

Garter stitch

Checker stitch (total number of stitches must be a multiple of 4):

Row 1: * k2, p2 *, rep. from * to *.

Row 2 and next even rows: work the stitches as they present themselves.

Row 3: * p2, k2 *, rep. from * to *.

Row 5: rep. from row 1.

Chain

Double crochet

GAUGE

10 x 10 cm. with knitting needles no. 4 and the yarn doubled in checker st. = 18 sts. and 29 rows.

WORKING INSTRUCTIONS

Work in a single piece. With knitting needles no. 4 and the yarn worked doubled, cast on 92 sts. and work in checker st. working the first and the last 2 sts. in garter st. When work measures 13 cm. from beg., to shape the armholes continue as follows: work over first 22 sts. (= right front) and stand off all the rem. stitches; turn work over, bind off the first 2 sts. and finish the row. Cont. until work measures 21 cm. from beg., then to shape the neckline, bind off the first 7 sts. and dec. 1 st. every 2 rows 6 times. When work measures 4.5 cm. from beg. of neckline, bind off the rem. stitches for the shoulder. Pick up work over the 48 next sts. (= back) leaving the last 22 sts. standing; to shape the armholes bind off the first and the last 2 sts. and cont. over the rem. stitches. When work measures 12.5 cm. from the armholes, bind off the stitches. Pick up work over the 22 standing sts. of the left front and finish in the same way as the right front.

MAKE UP AND FINISH

Sew up the shoulders. With crochet hook no. 3.50 and the yarn worked doubled trim the neckline in dc. working at the beg. and at the end of the row, a chain of 10 cm. (= straps on buttoning side).

HAT

MATERIALS REQUIRED

100 g. in the following yarns: 50 g Merino yarn in white no. 02 and 50 g Avantgarde yarn in lilac no. 33 (worked doubled). Knitting needles no. 3 1/2 and no. 4. Tapestry needle with rounded tip.

AGE: 12/15 months

PATTERN STITCHES

Elastic rib (starting)

Rib stitch 1/1

Checker stitch (total number of stitches must be a multiple of 4):

Row 1: * k2, p2 *, rep. from * to *.

Row 2 and next even rows: work the stitches as they present themselves.

Row 3: * p2, k2 *, rep. from * to *.

Row 5: rep. from row 1.

GAUGE

10 x 10 cm. with knitting needles no. 4 and the Merino yarn in checker st. = 22 sts. and 30 rows.

WORKING INSTRUCTIONS

Work in a single piece. With knitting needles no. 3 1/2 and the lilac yarn worked doubled cast on 72 sts. and work 4 rows in elastic rib, then in rib st. 1/1. When work measures 2 cm. from beg., cont. with knitting needles no. 4 and the white yarn in checker st. When work measures 13 cm. from beg., cont. knitting stitches tog. in twos, 3 times (only on right side of work). When 9 sts. remain on knitting needle, stand off the work and break off the yarn leaving a long length of yarn.

MAKE UP AND FINISH

Thread the length of yarn through the standing sts., pulling firmly to draw stitches tog., fastening the yarn on the back of work then sew up the sides, using the same colour on the same colour.

BLANKET

MATERIALS REQUIRED

A total of 450 g Nice Baby yarn in the following colours: 400 g. in white no. 02 and 50 g seagreen no. 08., 50 g Avantgarde yarn in lilac yarn no. 33. Crochet hook no. 2.50 and no. 4.00.

DIMENSIONS: the blanket measures 68x77

PATTERN STITCHES

Chain

Single crochet

Double crochet

Treble

Fan stitch (total number of stitches must be a multiple of 6 + 7 initial sts. + 5 end sts.):

Row 1: in 8th chain on crochet hook, work 1 fan (= 4 trs., 2 ch. and 1 tr.) * skip 5 chains, into next chain work 1 fan *, rep. from * to *, skip 3 chains, 1 tr. in the last chain

Row 2: 3 chains, * in the space of 2 ch. below work 1 fan *, rep. from * to *, 1 tr. in the last chain of the row below.

Row 3: rep. row 2 again.

GAUGE

10 x 10 cm. With crochet hook no. 4.00 and the yarn Nice Baby wor-

OUTFIT "LEONARDO"



MERINO and AVANTGARDE Yarns

ked tripled in fan stitch = 3 motifs and 6.5 rows.

WORKING INSTRUCTIONS

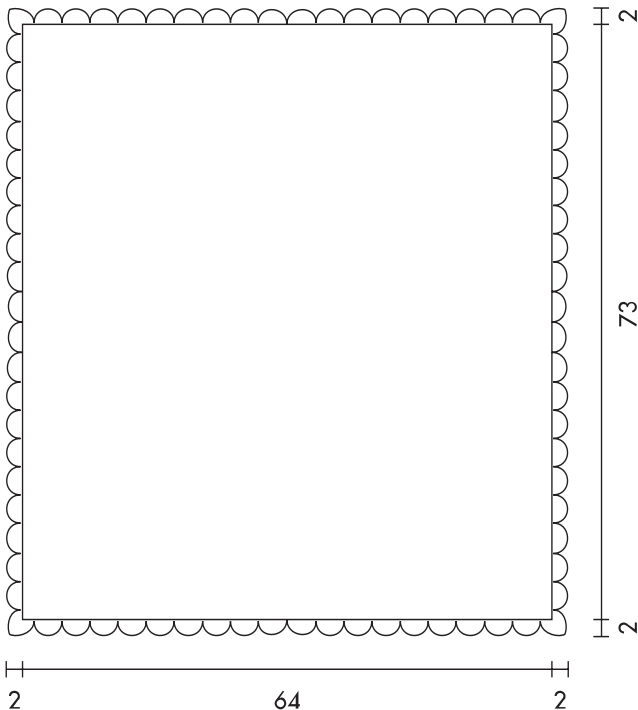
With crochet hook no. 4.00 and the yarn whiteworked tripled cast on a chain of 120 sts. and work in fan stitch. When work measures 73 cm. from beg., without breaking off the yarn, stand off the work.

MAKE UP AND FINISH

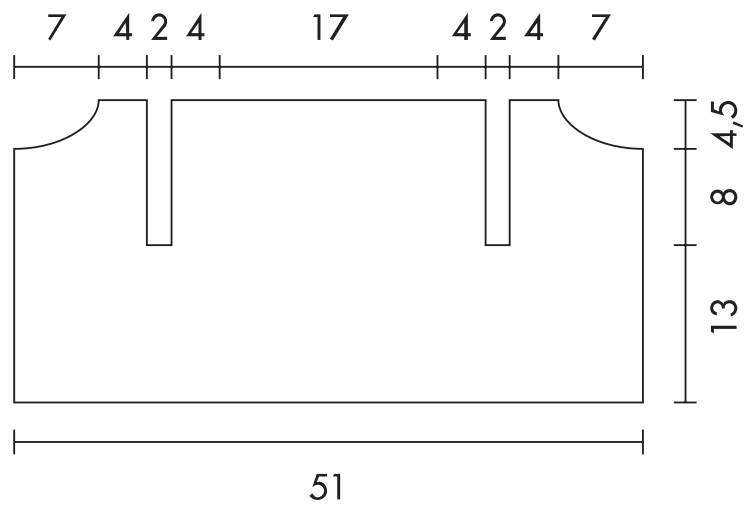
With the standing yarn, trim all the edges of the blanket as follows: 3 chains, in the corner space work 3 trs., cont. along the side edge and work * 1 dc. at the top of the edge tr. 2 rows below, in the space of 3 chains of the next row, work 5 trs., skip 1 row, 1 dc. into 3rd chain of the next row, in the space formed by the edge tr. of the next row work 5 tr. *, rep. from * to * for the entire side, in the next corner space work

8 tr; cont. along the starting side and work ** 1 dc. in the space between each motif, 5 tr. into the same base of the fan motif **, rep. from ** to ** for the whole side; in the next corner space work 8 tr.; rep. from * to * for the next whole side; in the next corner space work 8 tr.; cont. along the closing side and work *** 1 dc. in the space of 2 ch. of the fan, 5 tr. between each motif ***, rep. from *** to *** for the whole side and end with trs. in the rem. space of the last corner. With crochet hook no. 2.50 work two 10 cm. chains, one with the lilac yarn and one with the seagreen yarn (both worked single); join and braid into the base of the trimming edge starting and ending in a corner, and make a bow. At the same time, alternating the 2 colours as you please, make 21 15 cm chains and knot them into the bottom of the work tying into small bows spaced randomly.

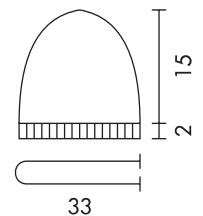
Blanket pattern



Gilet pattern



Hat pattern



Romper pattern

